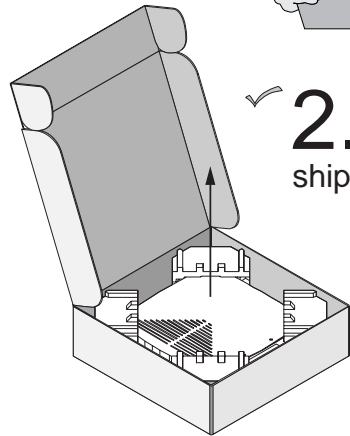
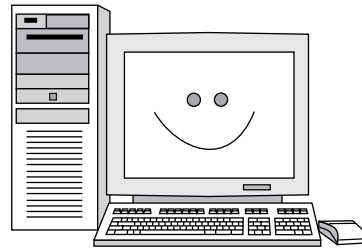
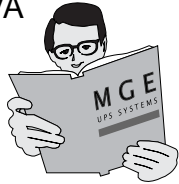




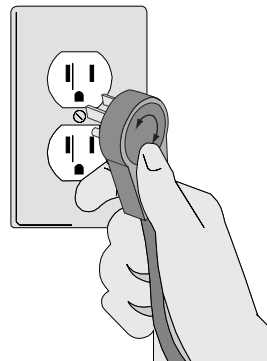
ellipse Quick Start Guide

- ✓ **1.** Check all loads intended for UPS (computer, monitor, modem, etc.) to be sure that VA rating of UPS is not exceeded.

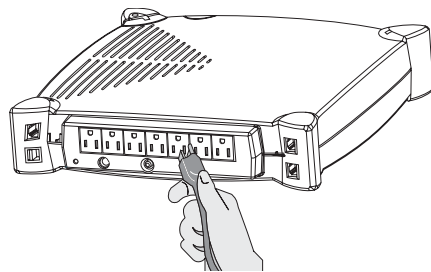


- ✓ **2.** Unpack Ellipse UPS and accessories from the shipping carton.

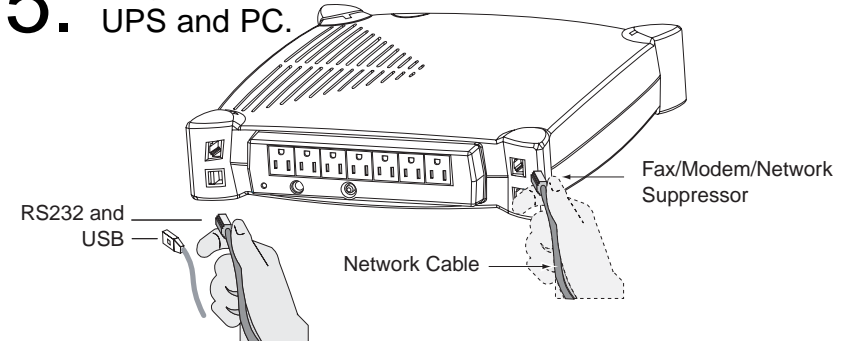
- ✓ **3.** Plug Ellipse UPS into a properly sized AC outlet.



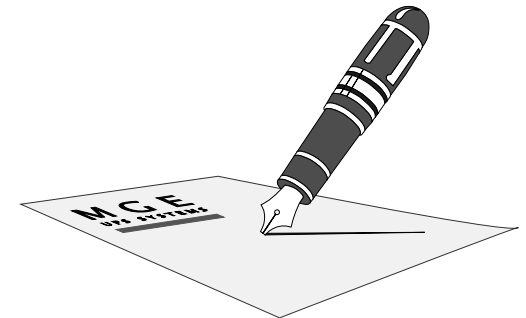
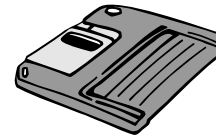
- ✓ **4.** Plug loads (computer, monitor, modem, etc.) into the Ellipse UPS.



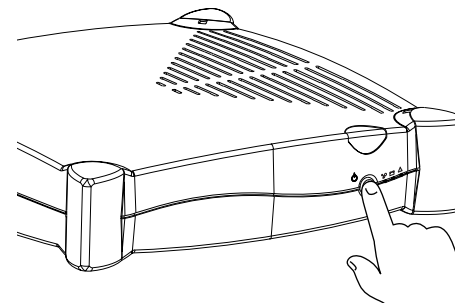
- ✓ **5.** Plug communications cables into the Ellipse UPS and PC.



- ✓ **6.** Download software (if applicable) from the internet at: www.mgeups.com. While online, register your new UPS, or fill out the Ellipse warranty card and mail to MGE.



- ✓ **7.** Switch on the UPS and allow to recharge for 8 hours for full battery capacity.





ellipse

Quick Start and Product Guide

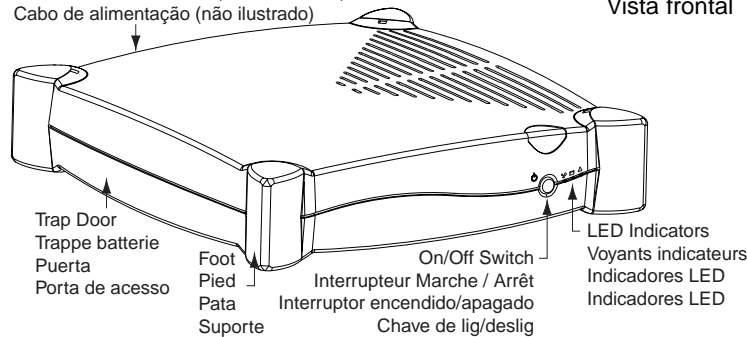
Manuel d'installation
et Guide produit

Guía Simplificada de Arranque
y del Producto

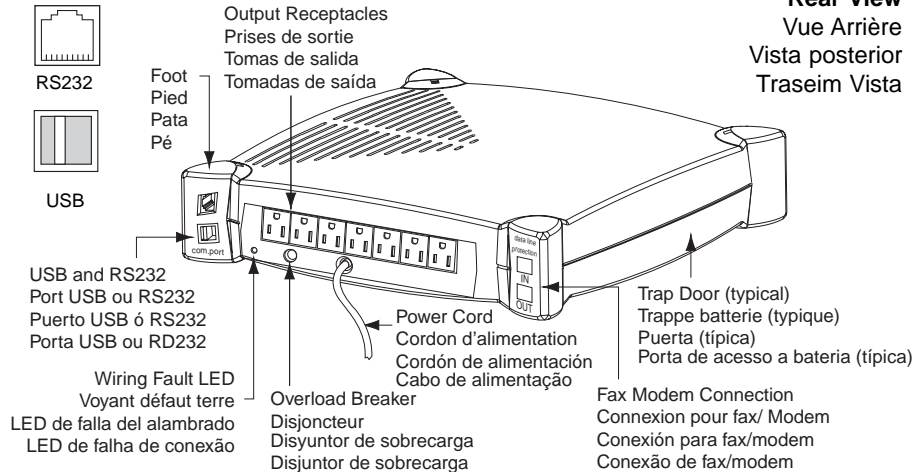
Início Rápido
e Guia do Produto

Power Cord (not shown)
Cordon d'alimentation (non représenté)
Cordón de alimentación (no se muestra)
Cabo de alimentação (não ilustrado)

Front View
Vue Avant
Vista frontal
Vista frontal



Rear View
Vue Arrière
Vista posterior
Traseim Vista



Package Contents:

1. Ellipse UPS
2. Warranty Card
3. Ellipse User's Manual
4. "Quick Start Guide"
5. Fax/modem Cable
6. Communication (RS232 and USB) Cables.

Contenu:

1. UPS Ellipse
2. Carte de garantie
3. Manuel d'utilisation Ellipse
4. Manuel d'installation
5. Câble fax/ modem
6. Câble (RS232 ou USB)

Conteúdo do Pacote:

1. Ellipse No-Break
2. Ellipse – Manual do Usuário
3. "Guia de Início Rápido"
4. Cabo de Fax/modem
5. Cabo (RS232 ou USB)

Contenido del paquete:

1. UPS (suministro ininterrumpido de energía) Ellipse
2. Manual del usuario Ellipse
3. "Guía Simplificada de Arranque"
4. Cable para fax/modem
5. Cable (RS232 ó USB)

Output Receptacles Prises de sortie Tomas de salida Tomadas de saída

Model 300/500 Modèle 300/500 Modelo 300/500 Modelo 300/500	Model 650/800 Modèle 650/800 Modelo 650/800 Modelo 650/800	Model 1200 Modèle 1200 Modelo 1200 Modelo 1200
Surge only (Peripherals) Prises Filtrées (pour périphériques) Sólo picos (periféricos) Apenas surto (periféricos)	UPS (Computer, monitor, etc.) Prises Secourues (ordinateur, écran, etc.) UPS (computadora, monitor, etc.) No-Break (Computador, monitor, etc.)	UPS (Computer, monitor, etc.) Prises Secourues (ordinateur, écran, etc.) UPS (computadora, monitor, etc.) No-Break (Computador, monitor, etc.)
Surge only (Peripherals) Prises Filtrées (pour périphériques) Sólo picos (periféricos) Apenas surto (periféricos)	UPS (Computer, monitor, etc.) Prises Secourues (ordinateur, écran, etc.) UPS (computadora, monitor, etc.) No-Break (Computador, monitor, etc.)	PowerShare Load-shedding Prises programmables Desconexión de carga PowerShare Compartilhamento de força Eliminação de carga
	UPS (Computer, monitor, etc.) Prises Secourues (ordinateur, écran, etc.) UPS (computadora, monitor, etc.) No-Break (Computador, monitor, etc.)	UPS (Computer, monitor, etc.) Prises Secourues (ordinateur, écran, etc.) UPS (computadora, monitor, etc.) No-Break (Computador, monitor, etc.)