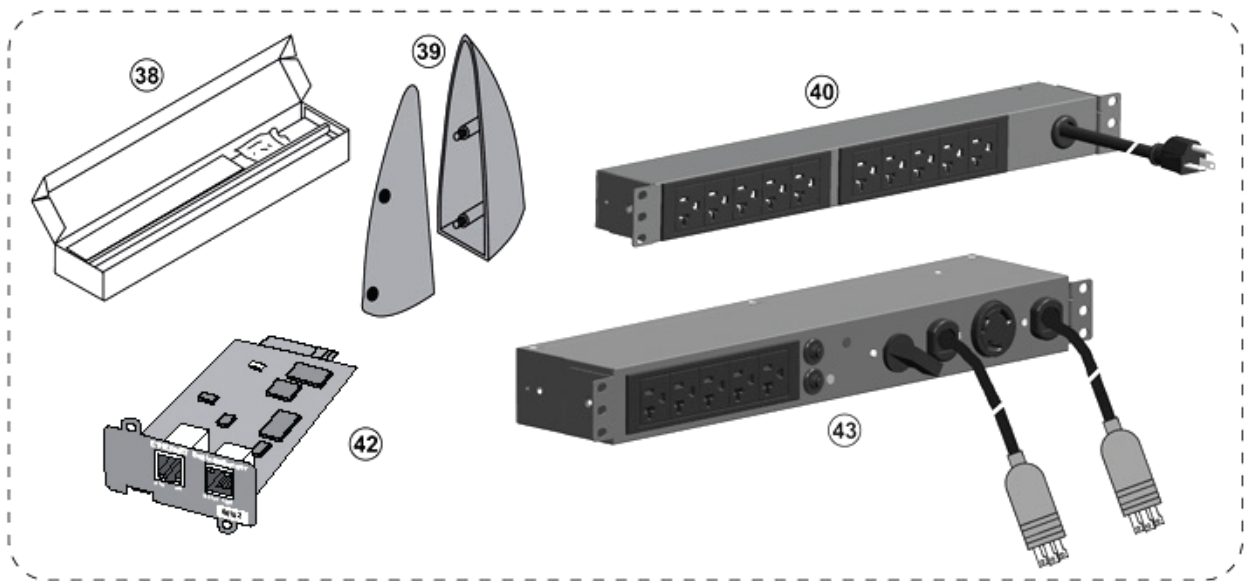
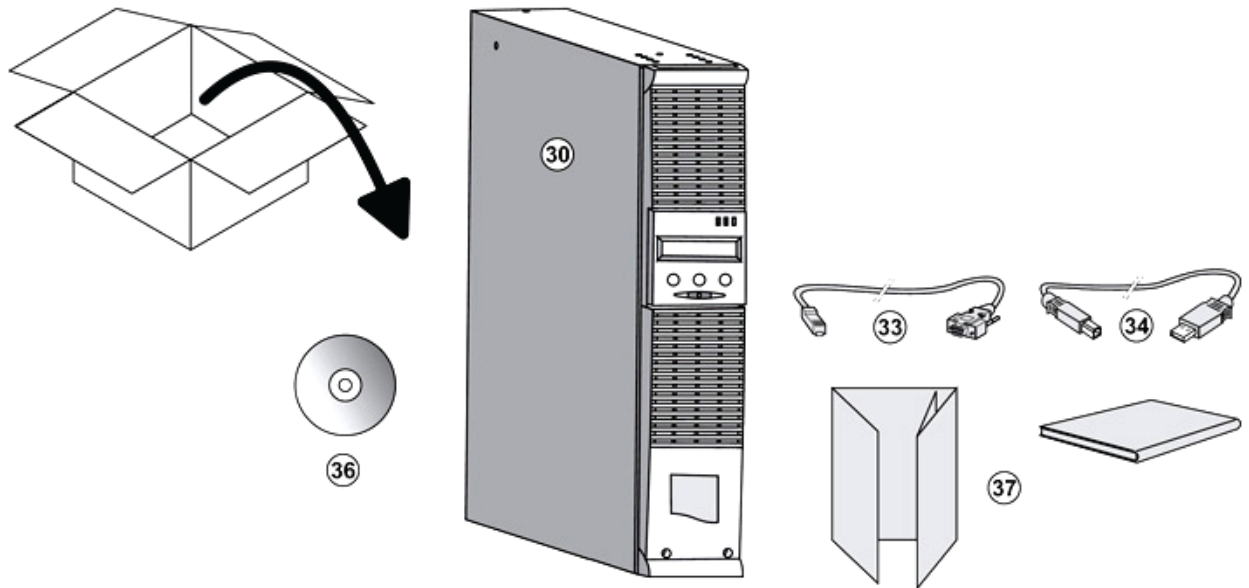


PULSAR M MODEL QUICK START-UP PROCEDURE



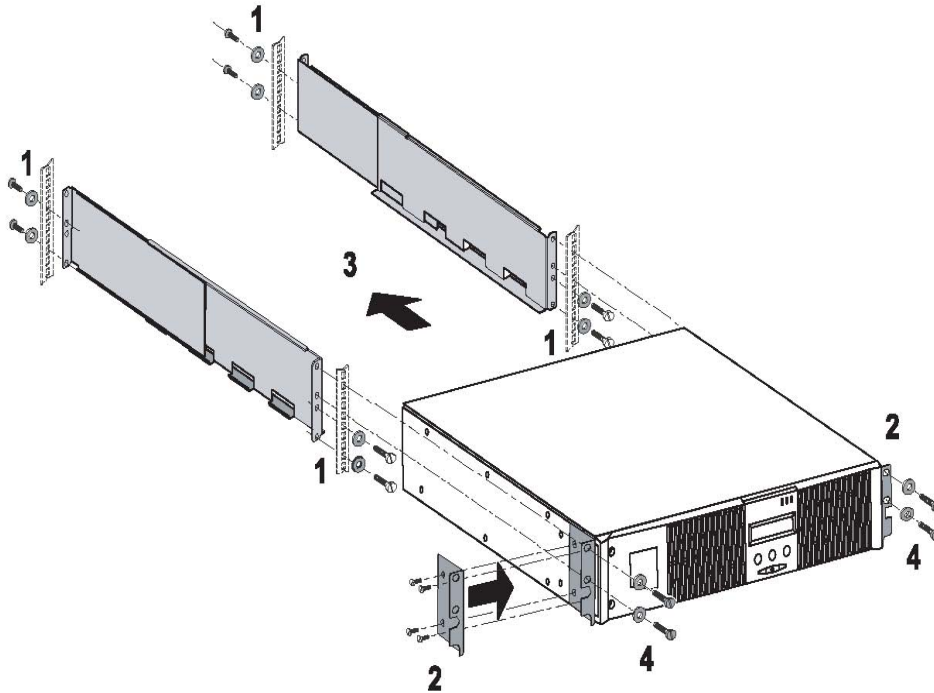
UPS accessories for installation



- (30) Pulsar M 2200 or 3000 UPS
- (33) RS232 communications cable
- (34) USB communications cable
- (36) Solution-Pac CD-ROM
- (37) Documentation Elements supplied depending on the version or optional

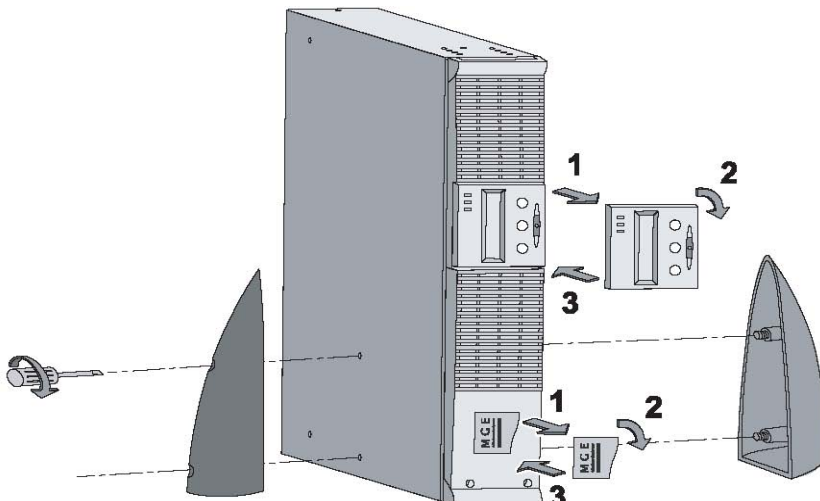
- (38) Mounting kit for 19-inch bays, except for RT 3U models
- (39) 2 supports for the upright position (2U version only)
- (40) FlexPDU module (optional)
- (42) NMC communication card (optional)
- (43) HotSwap MBP module (optional)

Follow steps 1 to 4 to install unit to rack system. The rails and necessary hardware are supplied (in the same package) by MGE Office Protection Systems, except for 3U models. If there is EXB module, EXB should be installed at the bottom of the rack system.

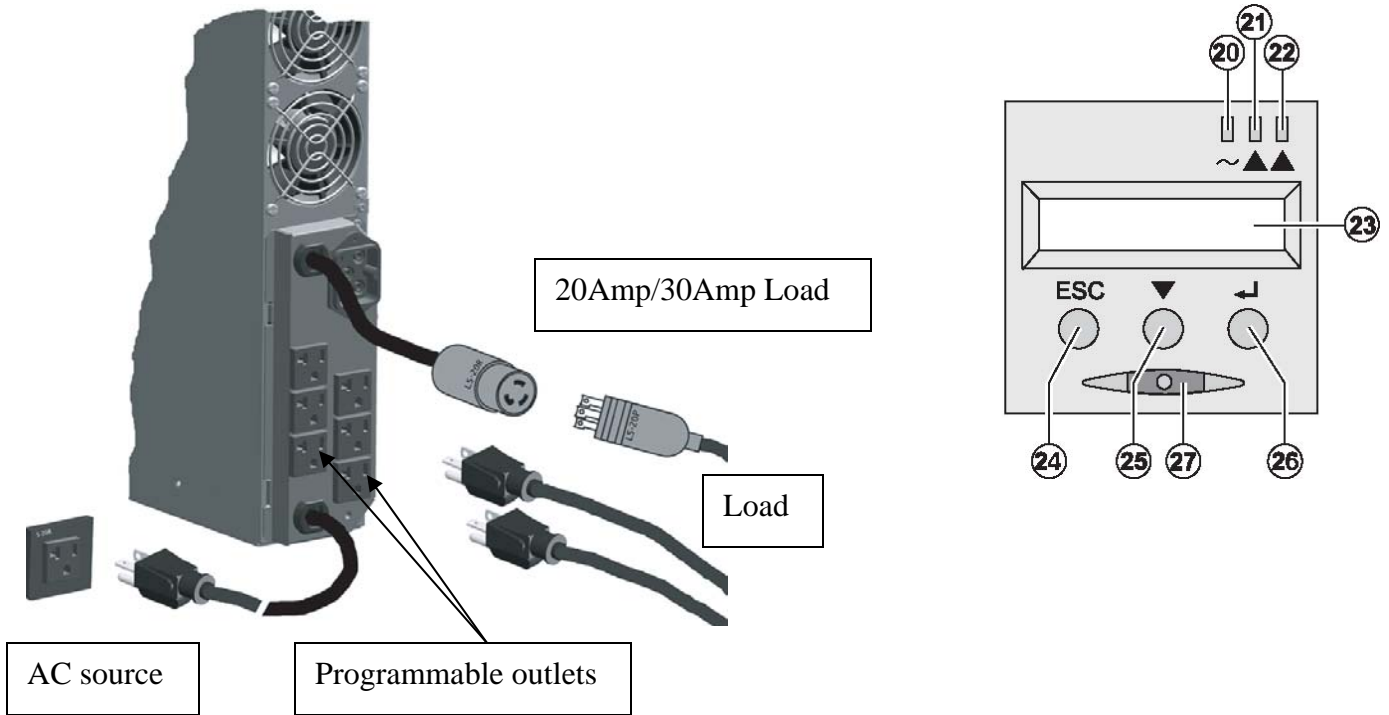


Install UPS as tower position using necessary hardware (supplied in the same package by MGE Office Protection Systems).

NOTE: MGE logo and LCD can be easily rotated (90 degree) by following steps 1 to 3 (pull out, twist around and push back).



UPS connection



1. Plug UPS into a good AC source with no load attached.

NOTE: Pulsar M 2200 requires 5-20R and Pulsar M 3000 requires L5-30R for AC connection.

Allow minimum eight (8) hours charge time before initial use.

Charger works even if unit is in OFF position.

2. Press the ON button (27) to start up UPS. UPS is ready to support load.

3. Load connection:

- Connect high power devices to 20Amp receptacle (for 2200 model) or to 30 Amp receptacle (for 3000 VA model).
- Connect non-priority loads to two programmable outlets. MGE Office Protection Systems communication software is required to program the outlets.
- Connect priority loads to regular outlets.

End of Quick Start-Up Procedure.