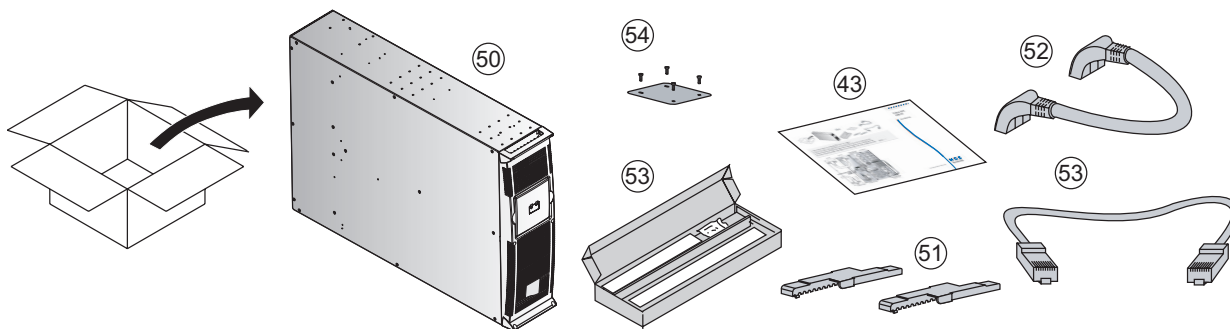
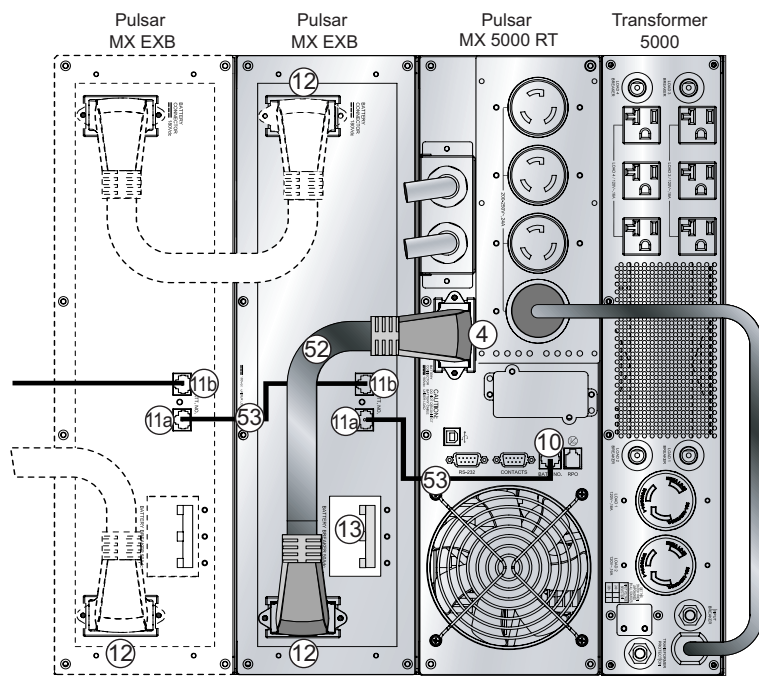


Pulsar MX EXB RT Box Contents (87103)



1. Check that the battery circuit breaker (13) is OFF ("0" position).
2. Connect the battery power cable (52) to the connectors (4) of the power and battery modules.
3. Secure the battery cable (52) to the power and the battery modules using screws (4) and (12) as shown.
4. Connect the battery detection cable (53) to the connectors (10) of the power module and (11) of the battery module.
4. Close the battery circuit breaker (13).



Pulsar MX  
EXB RT  
Extended Battery

Installation

See system installation and user manual for details on initial start-up procedures.